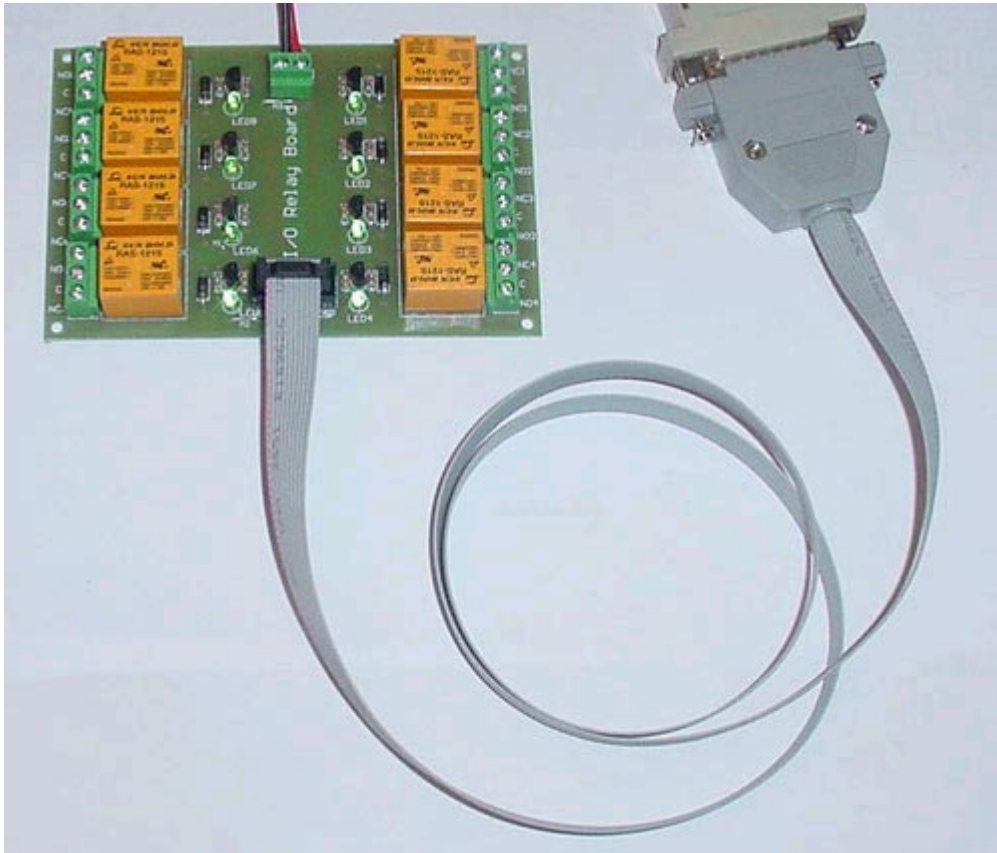


# PC printer Port Relay Unit

( Fully assembled and tested )



## Description :

Control up to 8 devices via the parallel printer port on your PC. There are 8 relays each capable of switching 12VDC/15A or 240VAC/10A. Each relay has an LED to indicate when it is operated.

The required power is 12V DC / minimum 300 mA.

The set including :

- One relay board
- One DB25 flat cable with 10PIN connector for a connection to a PC's printer port (approximately length 1 meter)

## Specifications :

Relays has Normally Open (NO) and Normally Closed (NC) Contacts rated for voltages:

- 12VDC/15A
- 24VDC/15A
- 125VAC/15A
- 250VAC/10A

Relay's datasheet :

(relays used : RAS-1215 - 1C)

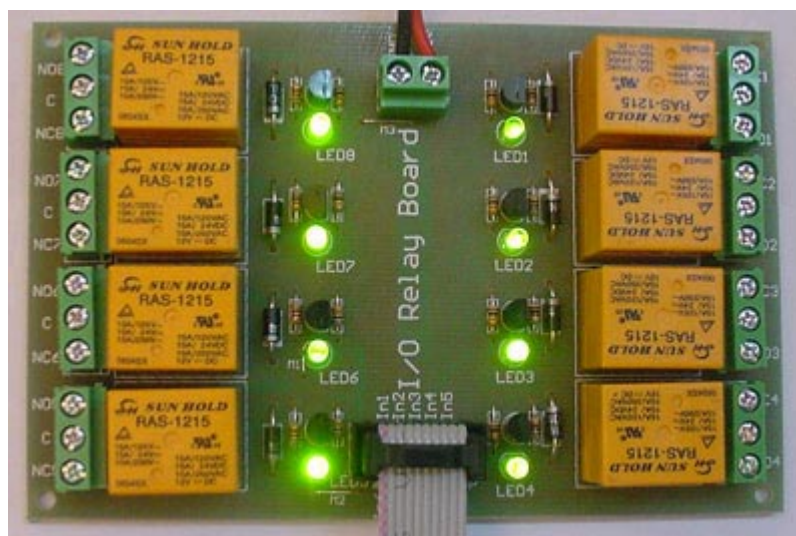
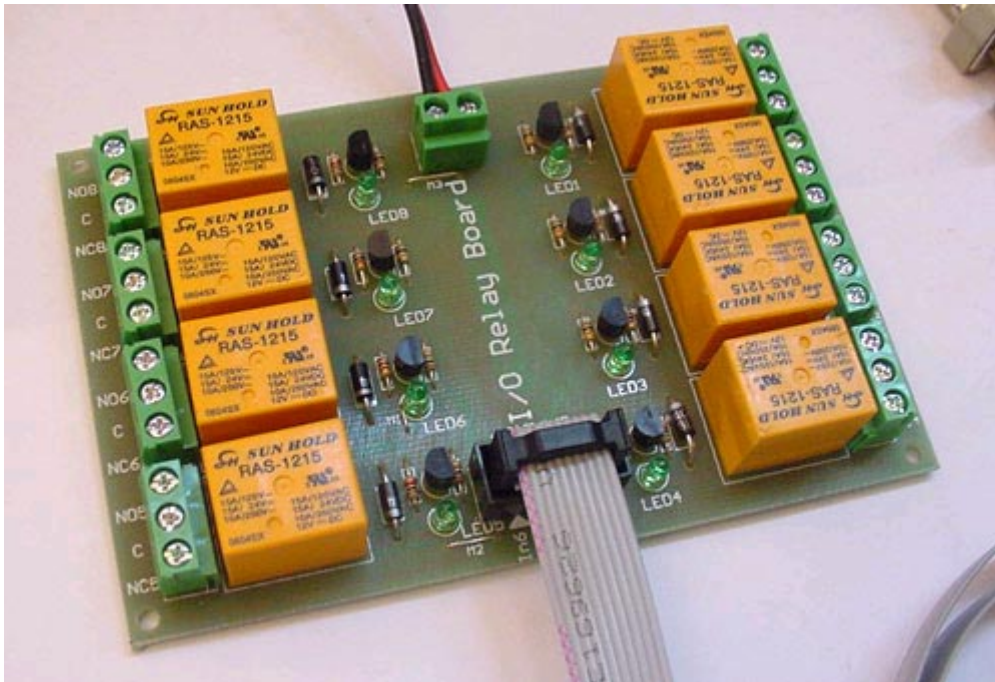
<http://www.sigma-shop.com/information/Relay/RAS.pdf>

Supply :

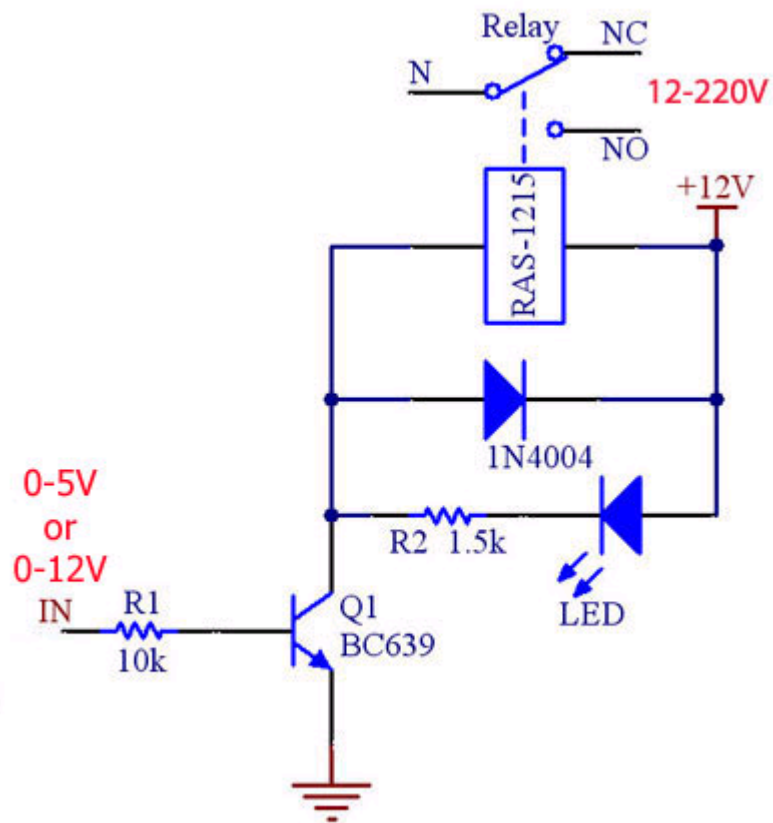
12 Volts / 300mA

Dimension :

120mm / 80mm / 20mm



This is a scheme of one relay module (channel):



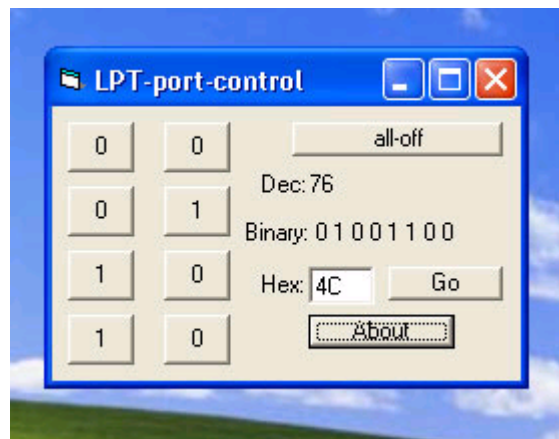
Installation :

1. Connect cable from your computer to the connector on relay board.
2. Connect power (12V) to board :



3. Download simple testing software from :  
[http://www.sigma-shop.com/software/lpt\\_relay/lptctrl.zip](http://www.sigma-shop.com/software/lpt_relay/lptctrl.zip)

4. Unzip and run software :



Using buttons you can turn ON and turn OFF all eight relays.

5. Connect device who you like to control :

